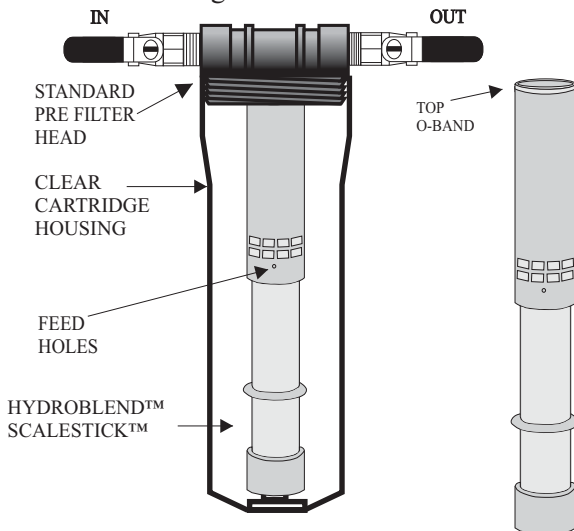


# SCALESTICK™ INSTALLATION INSTRUCTIONS

US PATENT # 5,580,448

**NOTE: DO NOT OVER TIGHTEN FITTINGS INTO THE FILTER HEADS.  
OVER TIGHTENING WILL RESULT IN A POSSIBLE PORT FRACTURE.**

1. All housings must be protected from freezing.
2. Observe the maximum pressure for the unit you are installing. If pressure exceeds the rated pressure, use a pressure regulator.
3. If a single mounting bracket is supplied with your unit, remove it from the head and invert it before mounting. Always be certain that you securely mount the unit as the pipe may not support it.
4. Observe the maximum temperature of your unit and do not exceed that temperature.
5. Water flow direction is located on the top of the unit (by in & out or arrow). Ensure water flow direction is correct.
6. The housing head must be mounted horizontally so that the sump is directly below the dispenser head.

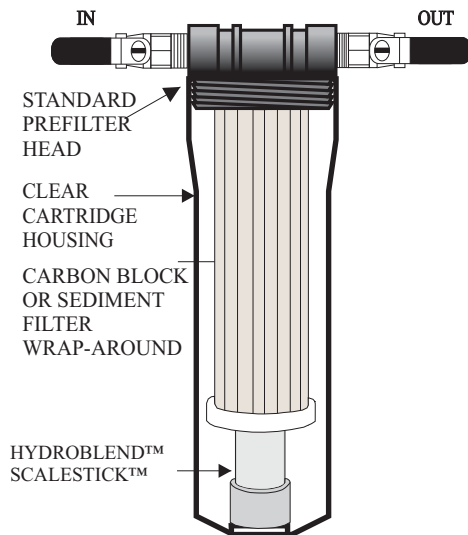


## SCALESTICK™ INSTALLATION & REPLACEMENT.

1. Turn off water.
2. Ensure that the o-band is in place on the top of the ScaleStick™.
3. Push the ScaleStick™ up into the filter head and allow the o-band to hold the ScaleStick™ suspended vertically.
4. Screw on the housing & turn on water
5. To replace the ScaleStick™, turn off water supply, unscrew the housing and remove the spent ScaleStick™. Place new ScaleStick™ per above steps.

The ScaleStick™ filter housings are rated for cold water use to temperatures not exceeding 85° F. If feed water temperatures exceed 85° F, use hot water feed housings.

Consult your representative for proper installation in unusual applications.



## SCALESTICK™ w/ CARBON BLOCK OR SEDIMENT WRAP INSTALLATION & REPLACEMENT INSTRUCTIONS.

1. Turn off water.
2. Push the ScaleStick™ up into the carbon block or sediment wrap filter until the bottom of the wrap filter is seated against the raised ridge of the ScaleStick™.
3. Place the ScaleStick™ and wrap filter inside the filter housing as shown ensuring that the gasket is in place on the top of the wrap filter.
4. Screw on the housing & turn on water.
5. To remove carbon block or sediment wrap, grasp the bottom of the filter in one hand and the ScaleStick in the other and pull out while twisting.

Over time, the product in the ScaleStick™ between the feed holes and bottom will slowly dissolve and the level will drop. Replace the ScaleStick™ when the product level reaches the bottom .

**The maximum allowable dosage of the media PHOS-HW, PHOS-CW, & PHOS-FE under NSF Standard 60 is 10 mg/l.**

## TROUBLE SHOOTING

### NO CHEMICAL USAGE:

1. Feed holes in the ScaleStick™ may become clogged from foreign material in lines if pre-filtration is not used.  
Solution: Cut the incoming water to the unit off and remove the ScaleStick™ and clean the feed holes.

**ENLARGEMENT OF FEED HOLES OR FAILURE  
TO FOLLOW DIRECTIONS WILL VOID WARRANTY**